

## Содержание

<b>DisplayPort/eDP</b> .....	3
<b>ESD</b> .....	3
<b>Power</b> .....	3
<b>Connectors</b> .....	3
<b>SMARC</b> .....	3
<b>eDP</b> .....	4

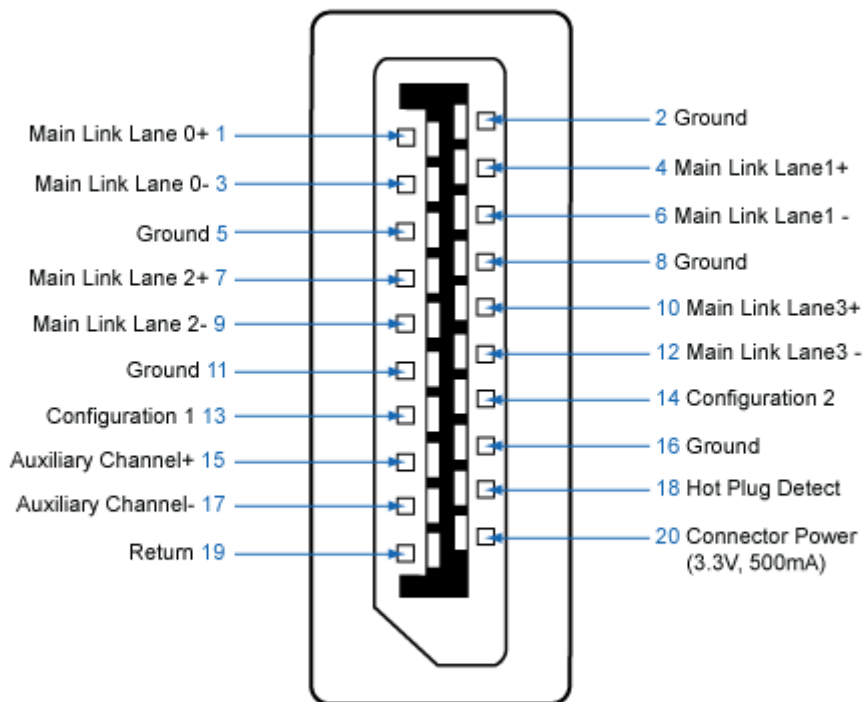


# DisplayPort\eDP

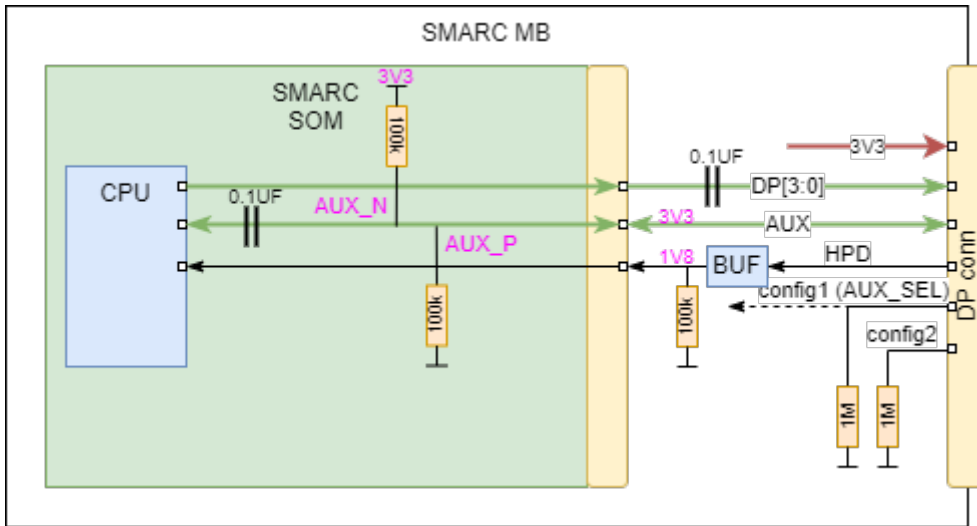
## ESD

## Power


## Connectors



## SMARC



## eDP

eDP conn			DP2EDP board
Terminal PIN No.	Symbol Symbol	Functions Description	
1	NC	NC	
2	H_GND	eDP lane Up to 5.4G	
3	Lane3_N		
4	Lane3_P		
5	H_GND		
6	Lane2_N		
7	Lane2_P		
8	H_GND		
9	Lane1_1N		
10	Lane1_1P		
11	H_GND		
12	Lane1_0N		
13	Lane1_0P		
14	H_GND		
15	AUX_CH_P		
16	AUX_CH_N		
17	H_GND		
18	LCD_VCC		
19	LCD_VCC		
20	LCD_VCC	BIST (IN Port)	
21	LCD_VCC		
22	LCD Self Test(BIST)	Logic GND (Connect to GND in M	
23	LCD_GND		
24	LCD_GND		
25	LCD_GND		
26	LCD_GND		
27	HPD	HPD (OUT Port 2.5V/	
28	BL_GND	BLU GND (Connect to GND in M	
29	BL_GND		
30	BL_GND	BLU Power (5~21V)	
31	BL_GND		
32	BL_ENABLE		
33	BL_PWM		
34	H_sync	H_sync (OUT Port 2.5V	
35	DBC	Dimming LED backlight	
36	BL_PWR	BLU Power (5~21V)	
37	BL_PWR		
38	BL_PWR		
39	BL_PWR		
40	Color Engine	IN Port(≥1.8V@High Mode)	