

Содержание

CSI	3
CSI2	3
High-Speed Differential Trace Parameters	3
SMARC	3
CSI3	3

CSI

<http://www.camera-module.com/blog/what-is-the-difference-between-mipi-csi-2-vs-csi-3.html>

CSI2

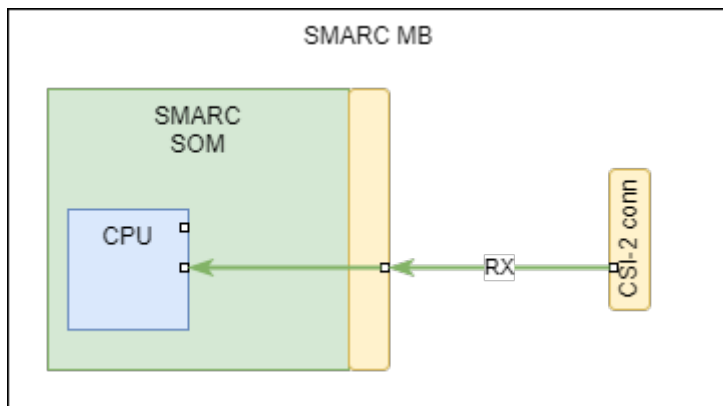


High-Speed Differential Trace Parameters

From [SMARCmodule_DG_V211](#)

Interface	Max Symbol Rate (approximate)	Sym Width (ps)	Zo Diff (ohms)	Zo SE (ohms)	Max Length (mils)	Pair Match (mils)	Group Match (mils)	TX/RX Match (mils)
MIPI-CSI	2.5 Gbps (CSI-2) D-Phy	400	90	45	3.700	<2.5	<20	N/A

SMARC



CSI3

