

Содержание

TQ-Embedded TQMxE39S 3

TQ-Embedded TQMxE39S

pic:



pn:

TQMxE39S

formfactor:

SMARC

manufacturer:

TQ-Embedded

cpu:

Intel Atom® x5/x7 E3900 series (“Apollo Lake-I”)
Pentium® N4200 and Celeron® N3350 processors

ram:

8 GB LPDDR4

emmc:

64 GB

eprom:

32kbit

temprange:

-40...+85 °C

edp:

1 (or dsi\lvds 2ch)

dp:

2 (or 1 hdmi)

hdmi:

1 (or dp)

lvd:

1 2ch(or dsi\edp)

ethernet:

1 (i210)

csi:

2

usb2:

4 (1 OTG)

usb3:

2

uart:

4

spi:

1

pcie:

4 gen 2 (1x4, 2x2, 4x1)

i2:

1

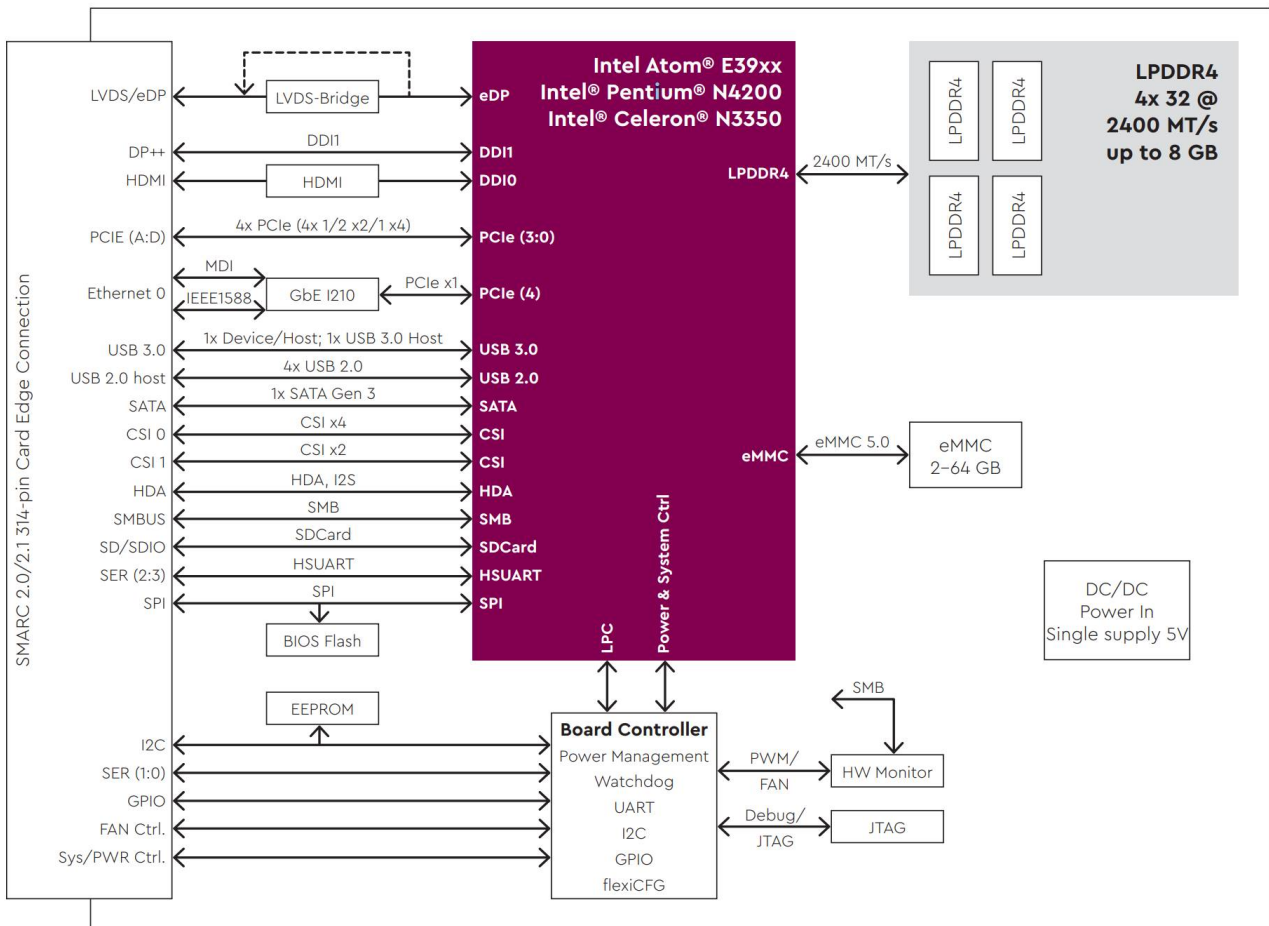
sata:

1

sdio:

1
i2c: 1
smbu: 1
gpio: 14
dimension: 82x50
datasheet: [link](#)
struct:
page: [page](#)

BLOCK DIAGRAM TQMxE39S



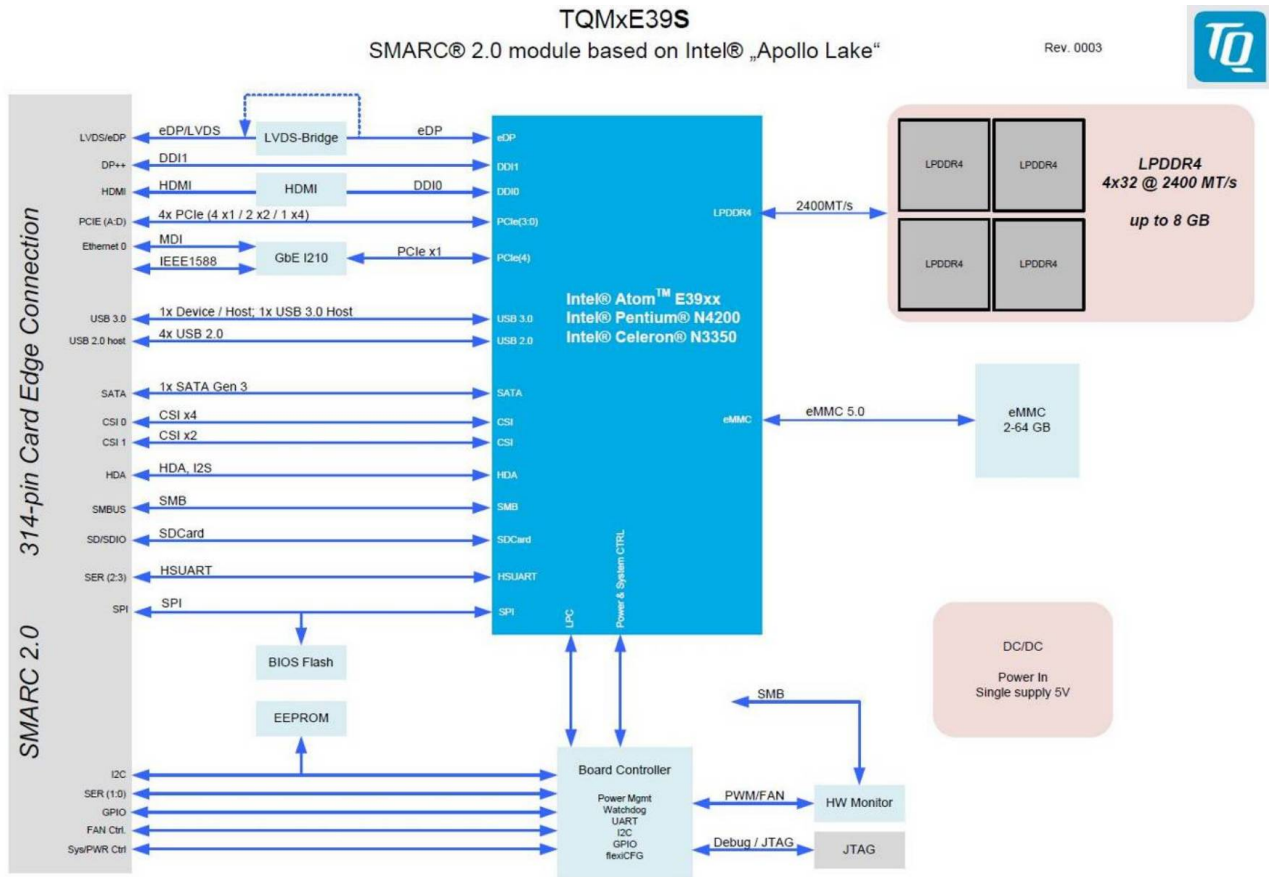


Figure 1: Block Diagram TQMxE39S

TQMxE39S-AA	Intel® Atom® E3950	8 GB LPDDR4	32 GB eMMC	12W	-40...+85°C	LVDS
TQMxE39S-AB	Intel® Atom® E3940	8 GB LPDDR4	32 GB eMMC	9.5W	-40...+85°C	eDP
TQMxE39S-AC	Intel® Atom® E3930	4 GB LPDDR4	8 GB eMMC	6.5W	-40...+85°C	LVDS
TQMxE39S-AD	Intel® Celeron® N3350	4 GB LPDDR4	8 GB eMMC	6W	0...+60°C	LVDS
TQMxE39S-AE	Intel® Pentium® N4200	8 GB LPDDR4	32 GB eMMC	6W	0...+60°C	eDP
TQMxE39S-AF	Intel® Atom™ E3940	8 GB LPDDR4	32 GB eMMC	9.5W	-40...+85°C	LVDS
TQMxE39S-AG	Intel® Atom™ E3950	8 GB LPDDR4	32 GB eMMC	12W	-40...+85°C	eDP