

Содержание

Portwell PCOM-BA02GL	3
<i>docs</i>	6
<i>USB</i>	6
<i>PCIe</i>	6
<i>SATA</i>	6
<i>LPC</i>	7

Portwell PCOM-BA02GL

pic:



pn:

PCOM-BA02GL

formfactor:

COM Express Type 10

manufacturer:

Portwell

cpu:

Intel Atom x6000E

emmc:

16/32 GB

ram:

4/8/16 GB LPDDR4

temprange:

0...+60 °C, -40...+85 °C

edp:

1 (or LVDS)

dp:

1 DP/HDMI/VDI

lvd:

Single Channel via eDP<>LVDS IC (or eDP)

ethernet:

1 (1GBit? 2.5 GBit?, SGMII? PCIe?) (GPY215? I210AT?)

dsi:

-

csi:

-

usb2:

6(8)

usb3:

2

can:

-?

uart:

2 from EC

spi:

+ (BIOS, TPM 2.0)

pcie:

x4 x 1, x2 x 2, x1 x 4 gen 3

i2:

HDA

i2c:

1 (from EC\CPU)

smbu:

1 (from EC\CPU)

gpio:

4 GPI, 4 GPO from EC (or SDIO 3.0 from CPU option)

bmc:

EC (IT5121VG-I-128)

tpm:

TPM 2.0

sata:

2 SATA III

sdio:

SDIO 3.0 (option)

bio:

AMI BIOS

dimension:

84 x 55 mm

lpc:

+ (eSPI<>LPC ECE1200????)

espi:

-

datasheetwww:

[link](#)

datasheet:

[link](#)

struct:

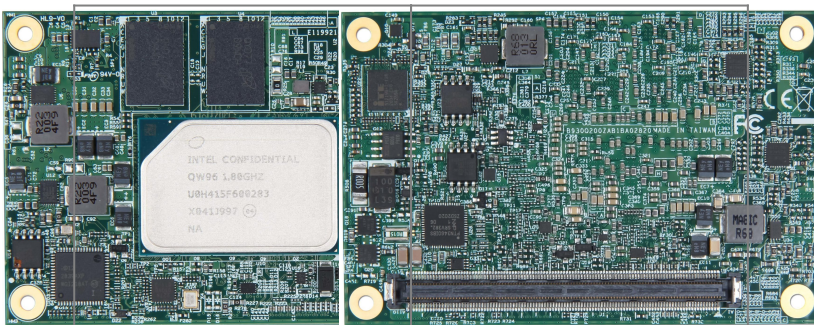


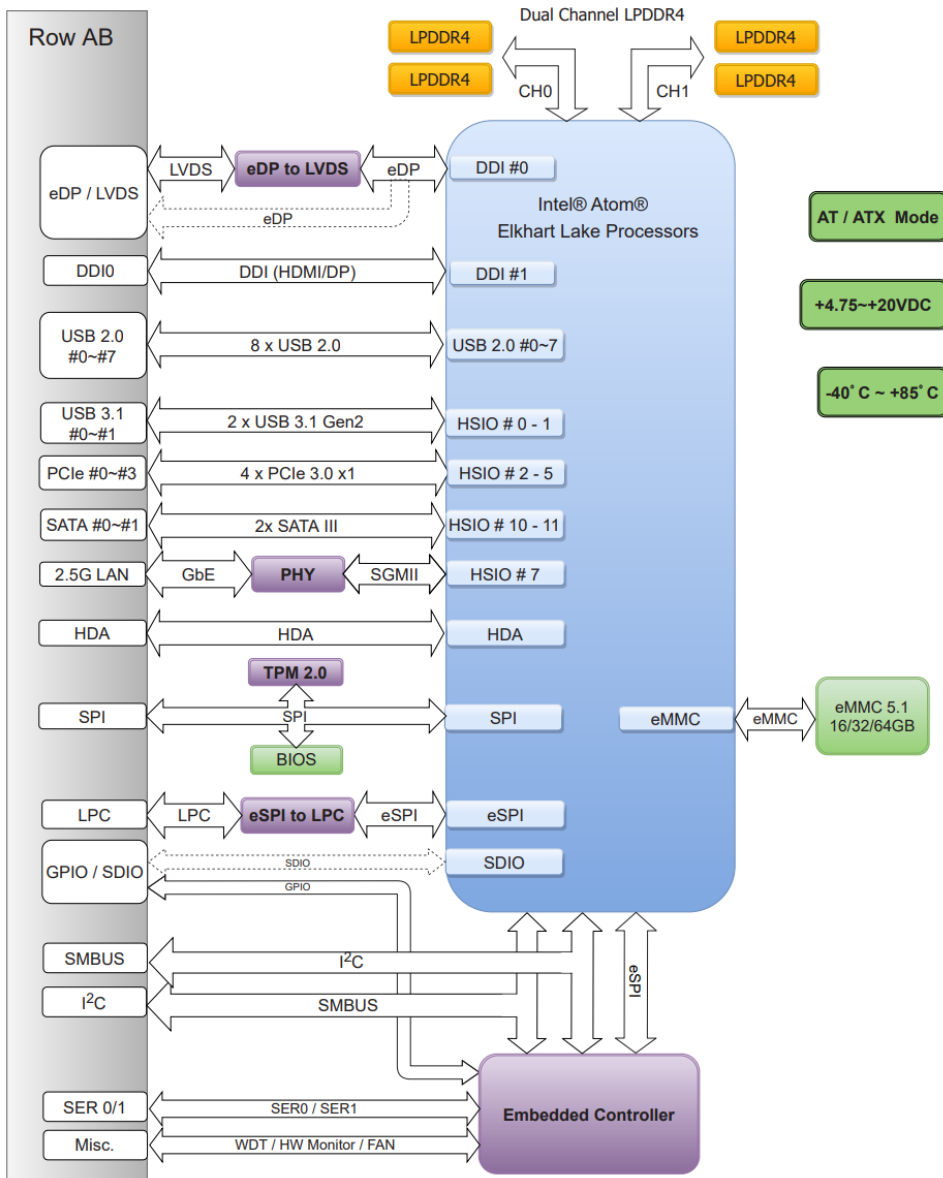
page:

[page](#)

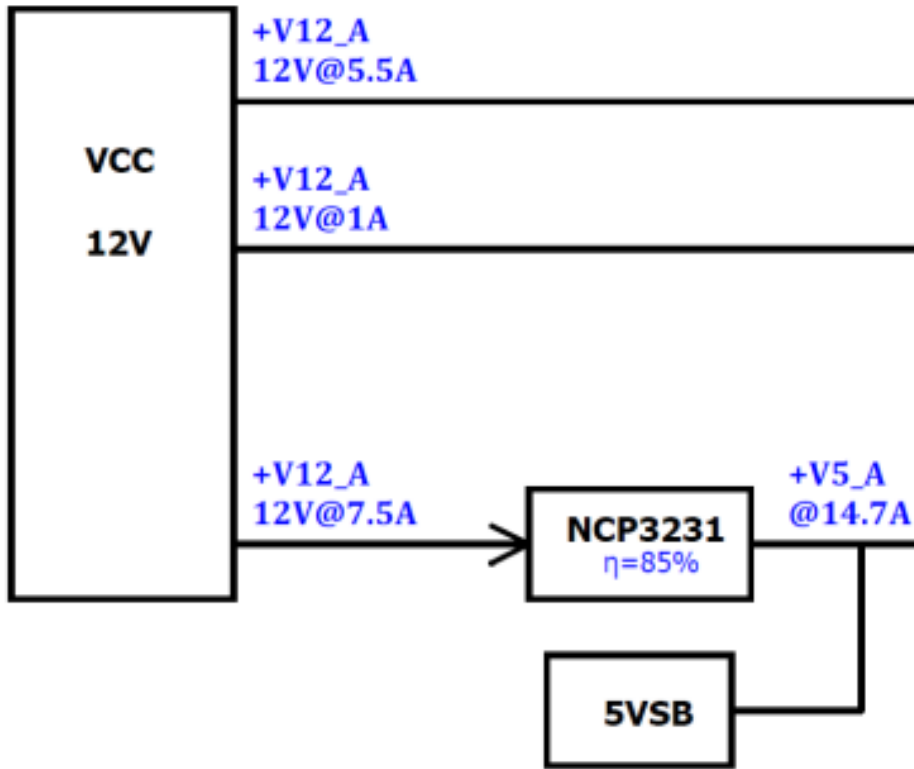
power:

4.75V to 20V, AT/ATX Mode





Power Distribution



docs

PCOM-BA02GL	Portwell	SOM flyer	link
PCOM-BA02GL	Portwell	User's guide	link
PTN3460	NXP	eDP<>LVDS bridge	link
IT5121VG-I-128	ITE	EC	
ECE1200	Microchip	eSPI<>LPC	link

USB

USB 0	HSIO 0	from XHCI controller
USB 1	HSIO 1	from XHCI controller

PCIe

PCIE0	HSIO 2
PCIE1	HSIO 3
PCIE2	HSIO 4
PCIE3	HSIO 5

SATA

SATA0	HSIO 10
SATA1	HSIO 11

LPC

LPC Bus is supported by a eSPI-to-LPC bridge IC