

Содержание

Kontron COMe-mEL10	3
<i>docs</i>	5
<i>Boot flash</i>	5
<i>Hardware monitor</i>	5
<i>USB</i>	5
<i>PCIe</i>	6
<i>SATA</i>	6
<i>LPC</i>	6

Kontron COMe-mEL10

pic:



pn:

COMe-mEL10

formfactor:

COM Express Type 10

manufacturer:

Kontron

cpu:

Intel Atom x6000E

emmc:

16/32 GB

ram:

2/4/8 GB LPDDR4

temprange:

0...+60 °C, -40...+85 °C

edp:

1 (or LVDS)

dp:

1 DP/HDMI/VDI

lvd:

Single Channel via eDP<>LVDS IC (or eDP)

ethernet:

1 (2.5 GBit, SGMII) (GPY115/GPY215)

dsi:

-

csi:

-

usb2:

6(8) (port7 client)

usb3:

2

can:

2 (in place of UART0/1)

uart:

2 (UART or CAN) (from EC, from CPU option)

spi:

+ (BIOS, TPM)

pcie:

x4 x 1, x2 x 2, x1 x 4 gen 3

i2:

HDA

i2c:

1 (from EC)

smbu:

1

gpio:

4 GPI, 4 GPO from EC (or SDIO 3.0 from CPU option)

bmc:

EC (Altera MAX10 10M04SCU169I7G)

tpm:

TPM 2.0

sata:

2 SATA III

sdio:

SDIO 3.0 (option)

bio:

AMI Aptio V uEFI

dimension:

84 x 55 mm

lpc:

+ (via EC eSPI<>LPC)

espi:

+ (via 0R from CPU)

datasheetwww:

[link](#)

datasheet:

[link](#)

struct:

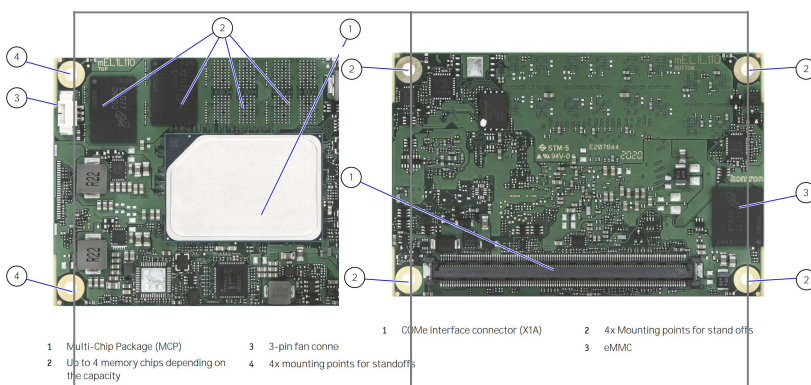


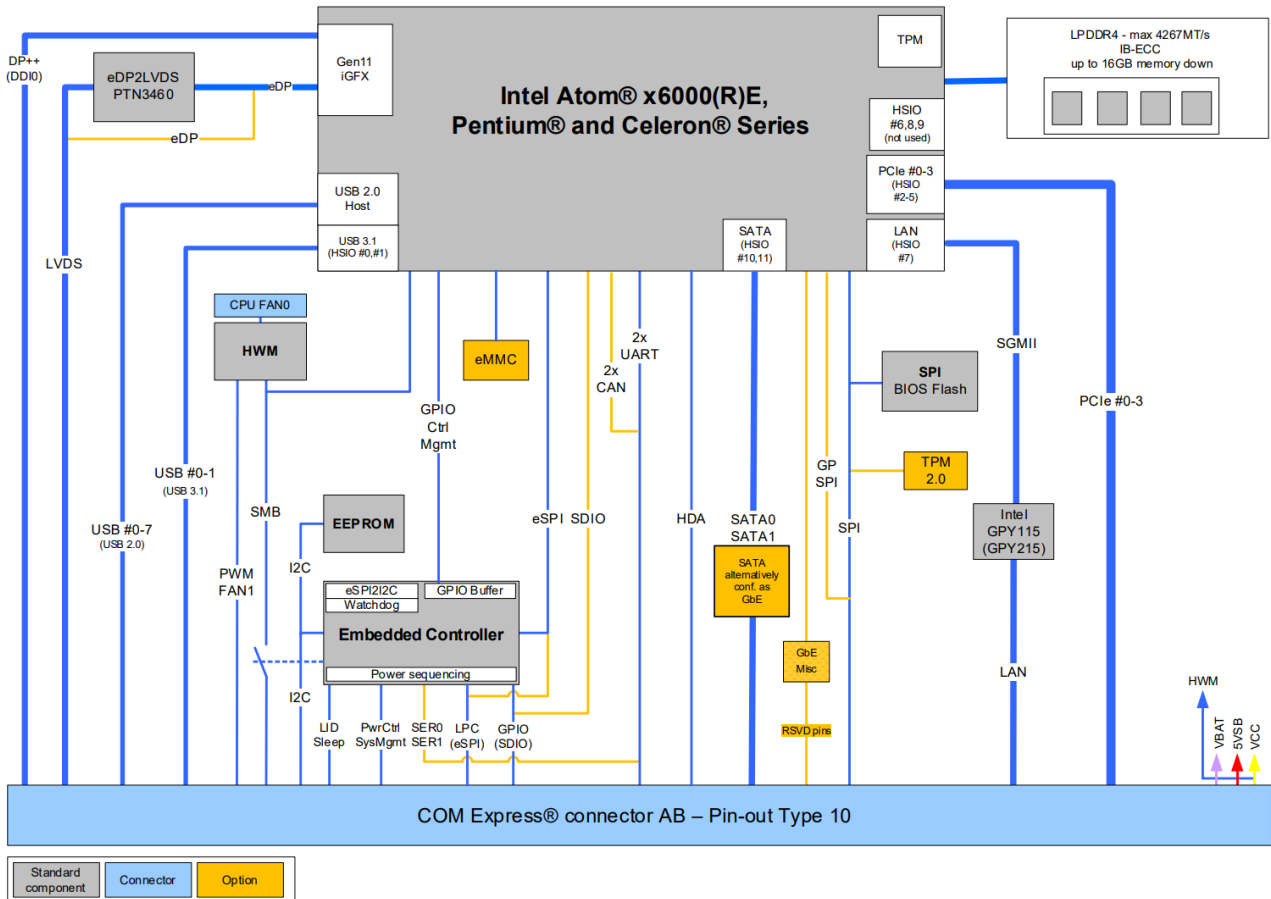
page:

[page](#)

power:

4.75-20V/5Vsb





docs

COMe-mEL10	Kontron	SOM flyer	link
COMe-mEL10	Kontron	User's guide	link
PTN3460	NXP	eDP<>LVDS bridge	link
MAX10 10M04SCU169I7G	Altera	EC	

Boot flash

Size	Manufacturer	Part Number	Device ID
32MB	Winbond	W25Q256JV	EFh / 40h / 19h
32MB	Macronix	MX25L25645GZ2I	C2h / 20h / 19h
32MB	Micron	MT25QL256ABA1EW9-0SIT	20h / BAh / 19h
32MB	Cypress	S25FL256LAGNFI010	01h / 60h / 19h

Hardware monitor

NCT7802Y (SMBus)

USB

USB 0	HSIO 0	from XHCI controller
USB 1	HSIO 1	from XHCI controller

PCIe

PCIE0	HSIO 2
PCIE1	HSIO 3
PCIE2	HSIO 4
PCIE3	HSIO 5

SATA

SATA0	HSIO 10
SATA1	HSIO 11

LPC

LPC_CLK = 25 MHz, eSPI_CK = 20 MHz