

## Содержание

<b>Sensors</b> .....	3
<b>Manufacturers</b> .....	3
<b>PIR</b> .....	3
Линза Френеля .....	3
<b>Фоторезисторы</b> .....	4
<b>Visible Light</b> .....	5



# Sensors

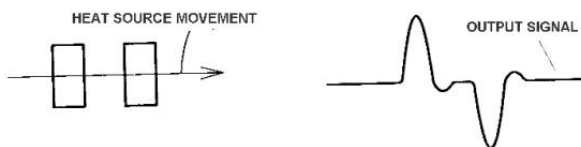
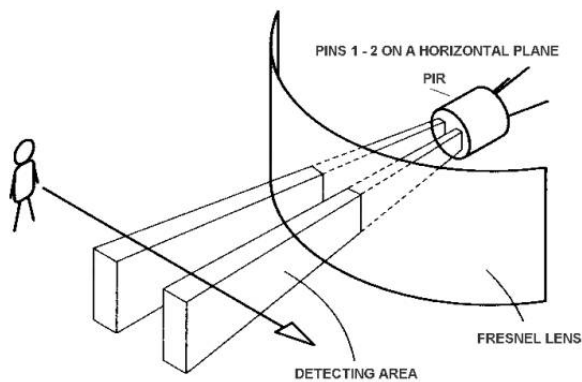
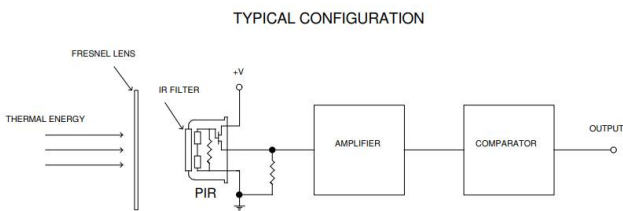
## Manufacturers

<https://www.senbasensor.com/> Senba

## PIR


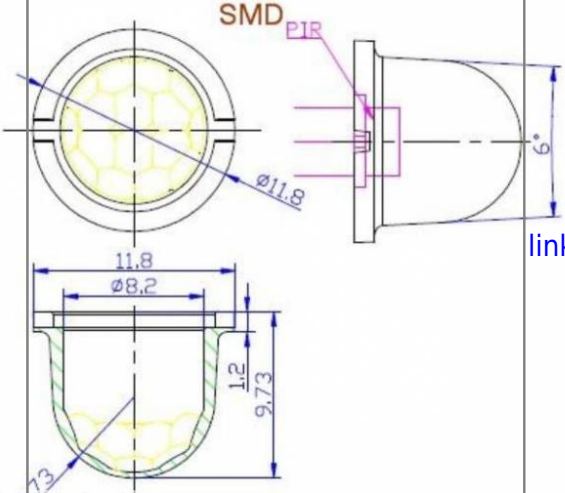
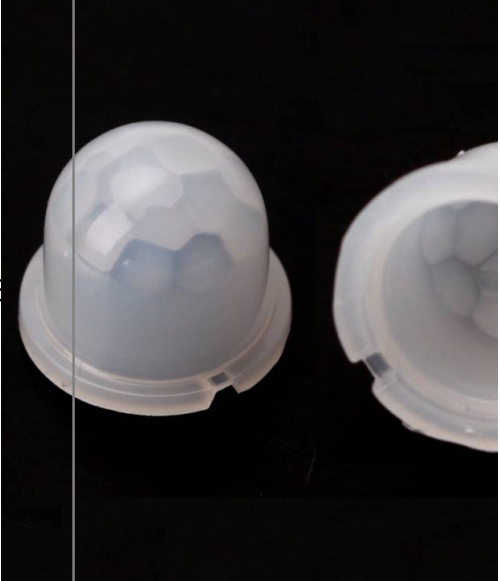
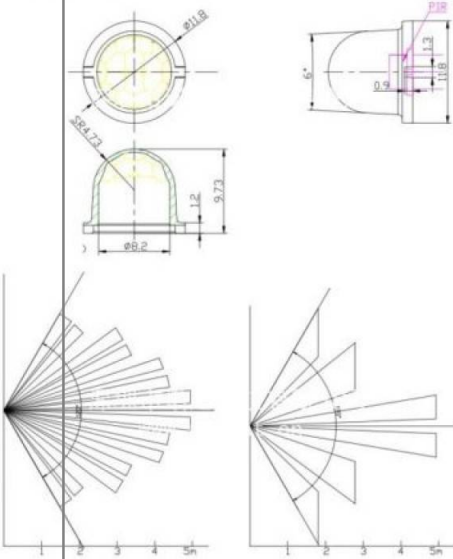
Senba <https://www.senbasensor.com/pyroelectric-infrared-sensor/>

RE200B	
D203S	TO-5
LHI874	
LHI878	



## Линза Френеля

Fresnel lens

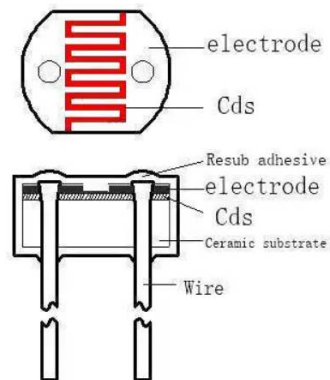
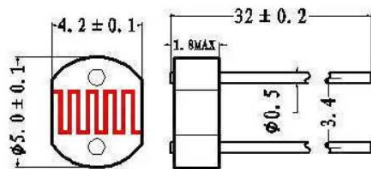
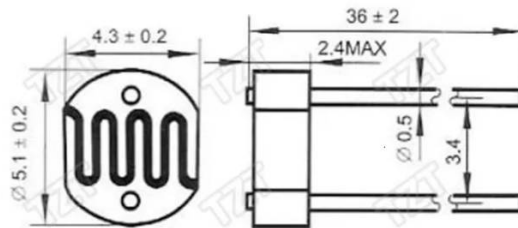
83			<a href="#">link</a>
83			<a href="#">link</a>

## Фоторезисторы

5.1mm	5506, 5516, 5523, 5537, 5539, ...
12mm	1200, 1201, 1202, 1203, 1204, 1205, ...
20mm	2000, 2001, 2002, 2003, 2004, 2005, ...

## PARAMETERS

Model	5516	5528	5537	5539	5549
Withstand voltage	150V	150V	150V	150V	150V
Maximum power	90MW	90MW	90MW	90MW	90MW
Ambient temperature	-30-70°C	-30-70°C	-30-70°C	-30-70°C	-30-70°C
Central wavelength	540NM	540NM	540NM	540NM	540NM
Bright resistance	5-10K	8-20K	20-50K	30-90K	80-150K
Dark resistance	0.2M	1M	5M	10M	20M
Gamma value	0.6	0.65	0.7	0.7	0.8
Response time	30MS	30MS	30MS	30MS	30MS



## Visible Light

Senba [https://www.senbasensor.com/visible-light-sensor\\_2/](https://www.senbasensor.com/visible-light-sensor_2/)