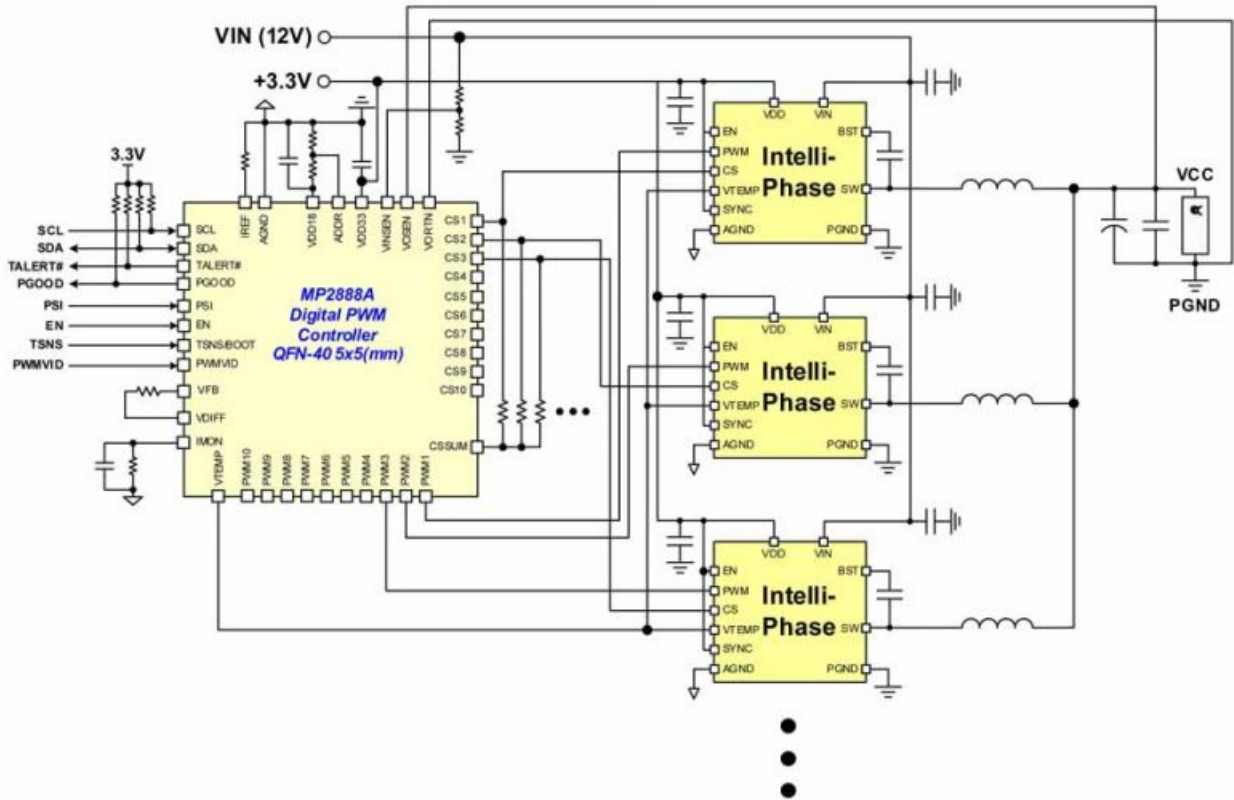


Содержание

DCDC controllers multiphase 3

DCDC controllers multiphase

<https://www.hardwareluxx.de/community/threads/lga-1151-mainboard-VRM-liste.1175784/>



- NCP4200

link	ext	description	manufacturer	version	date	lang
NCP4200-D.PDF	PDF	NCP4200 Synchronous Buck Converter, Multi Phase (2,3,4), with I2C Interface Onsemi	Onsemi	rev. 5	2021.07	EN
NCP4208-D.PDF	PDF	NCP4208 Onsemi VR11.1 Digital Programmable 8-Phase (1-8) Synchronous Buck Converter with I2C Interface	Onsemi	rev. 5	2013.09	EN