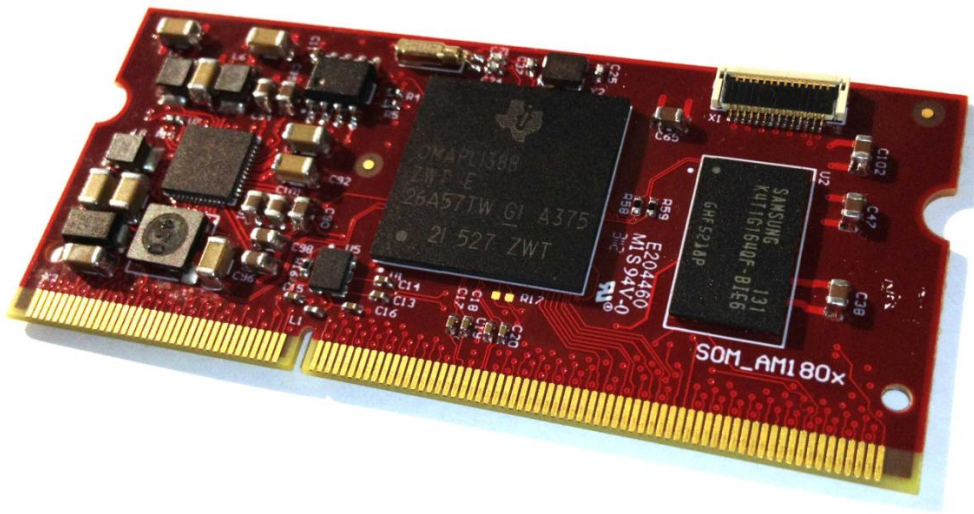


Содержание

NMS-SD3-AM180X	3
<i>Technical Specifications</i>	3
<i>Block Diagram</i>	5
<i>Processor</i>	6
<i>PMIC notes</i>	7

NMS-SD3-AM180X



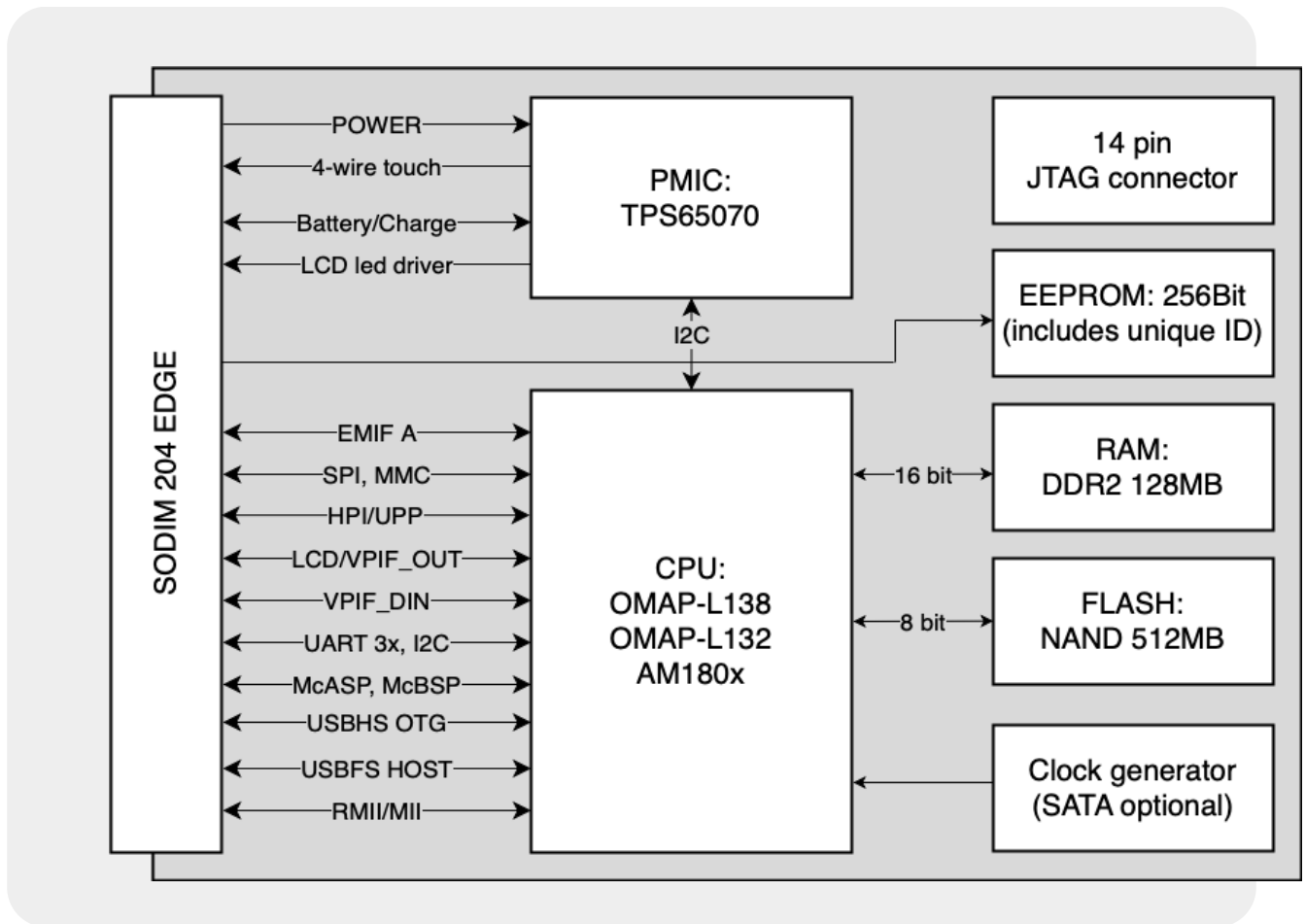
Technical Specifications

Main technical specifications

Form factor	SODIMM 204 EDGE
CPU	Texas Instruments Sitara ARM microprocessors: AM1808/AM1806/AM1802/AM1810
	ARM frequencies: 300MHz - 356MHz
	Texas Instruments C6000 DSP+ARM Processor: OMAP-L138/OMAP-L132
RAM	DDR2-150MHz 64MB / 128MB / 256MB
FLASH	NAND FLASH 128MB / 256MB / 512MB / 1GB
EEPROM	I2C serial EEPROM 256byte, Unique ID
Power Management IC	TPS65070
Interfaces	USB Full-speed host, USB OTG
	EMAC - RMII/MII interface
	SATA - 1.5Gbps, 3.0Gbps
	MMC/SD - 2 controllers
	UART(SCI) - 3 channel
	PWM - 2 channel
	eCAP - 3 channel
	I2C - 2 controllers
	HPI - one 16-bit interface
	uPP (universal parallel port)
	McBSP - 2 channel
	McASP - 1 channel
SPI - 2 controllers	
Power supply voltage	TBD
Power consumption	TBD

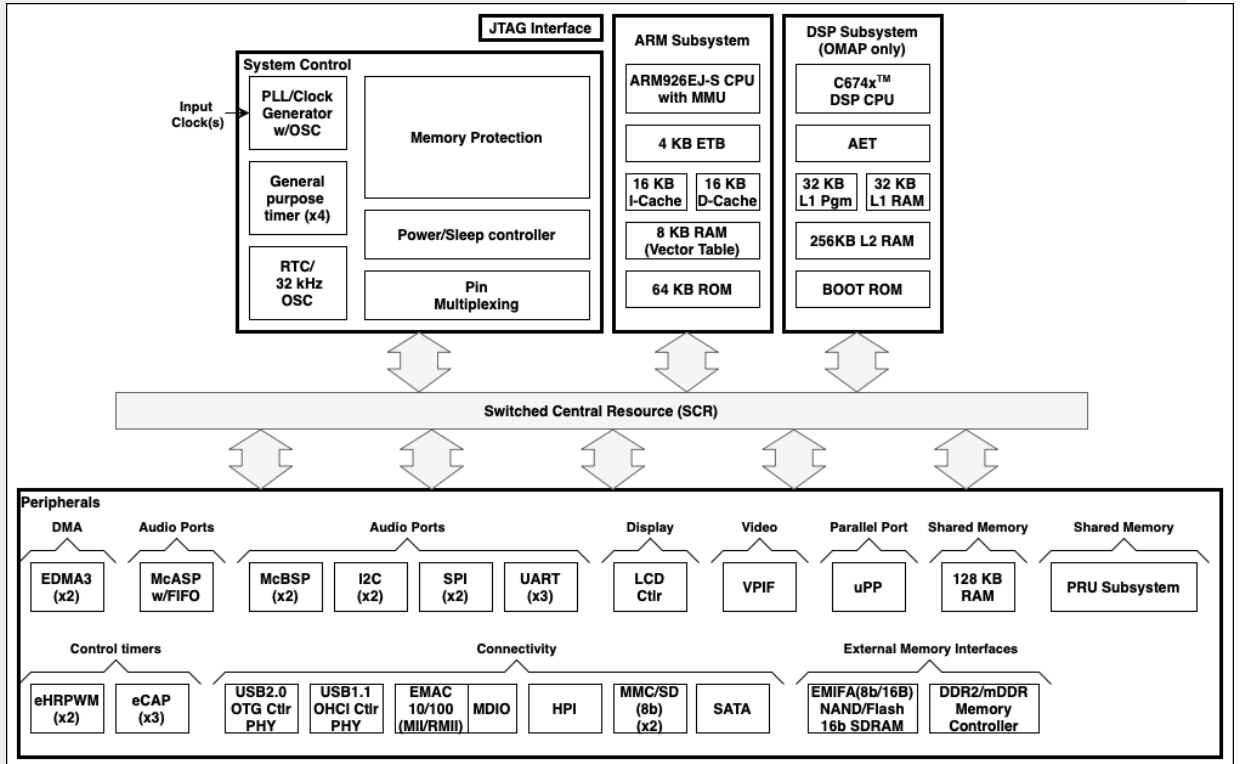
Dimensions	TBD
------------	------------

Block Diagram



Module block diagram

Processor



Module block diagram

PMIC notes

- Charger/Power Path Management - Linear charger, Thermal regulation, Safety timers, Temperature Sense Input
- wLED boost converter - Up to 2 x 10 Leds, up to 25ma per String
- Touch Screen interface - I2C bus, 10-bit ADX
- Undervoltage Lockout and Battery fault comparator